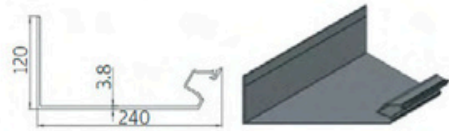


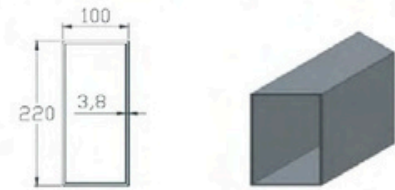
B CUBE FREEDOM



1 Front and Back Gutter Profile



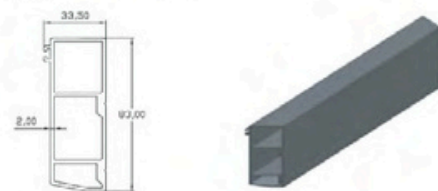
2 Carrier Post and Side Beam Profile



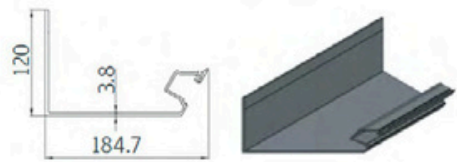
3 Rafter Profile



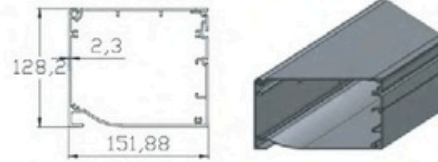
4 Front Profile



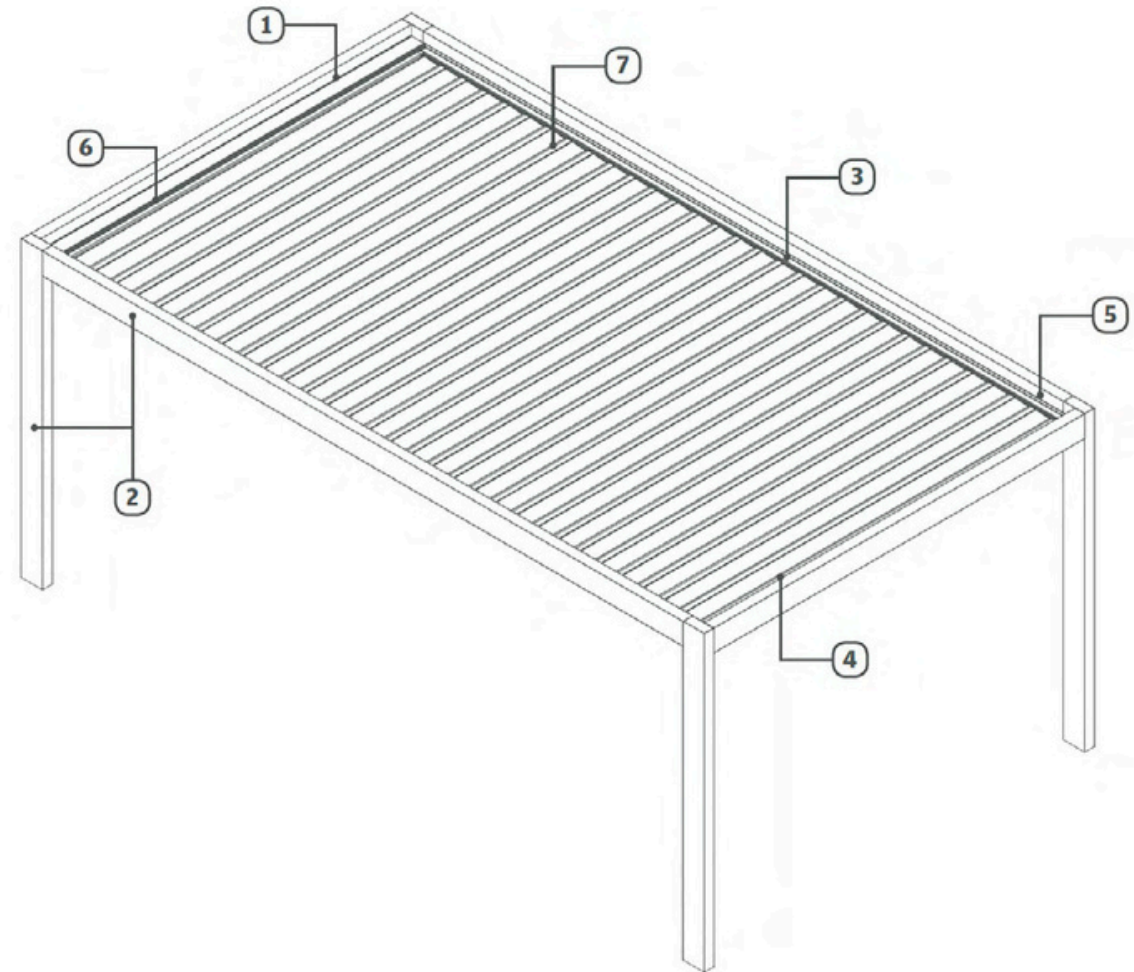
5 Side Gutter Profile

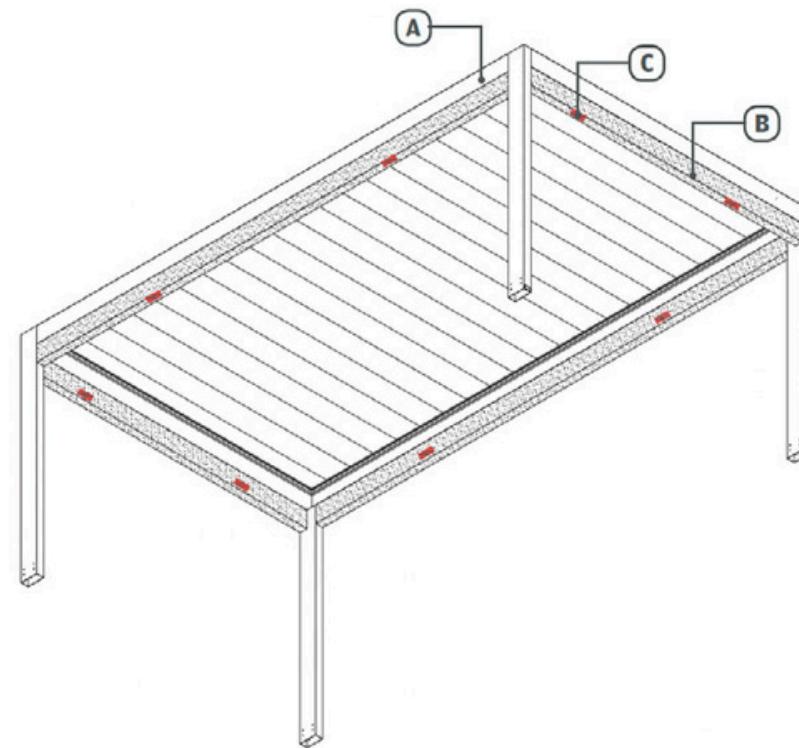
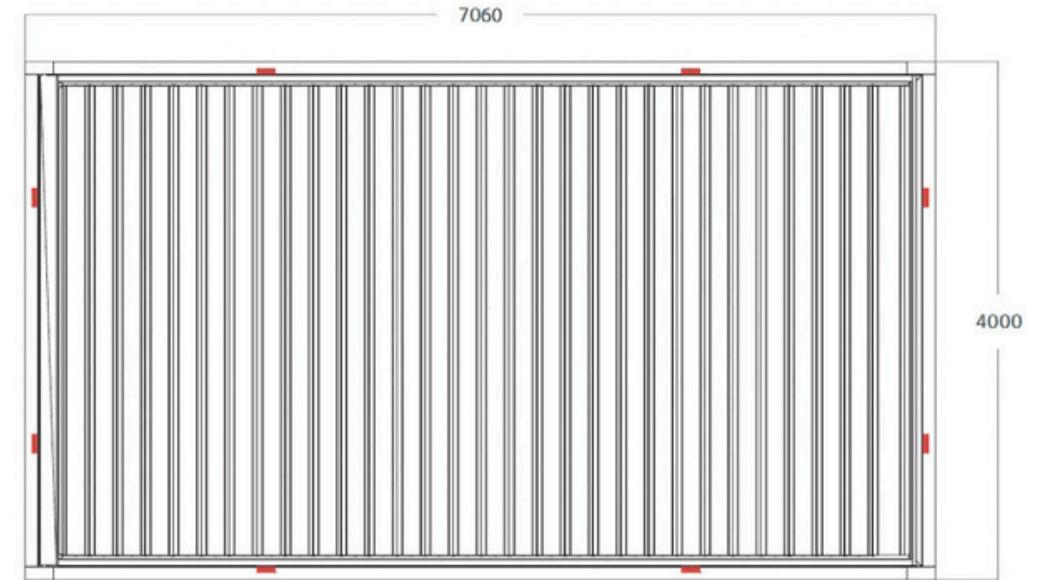
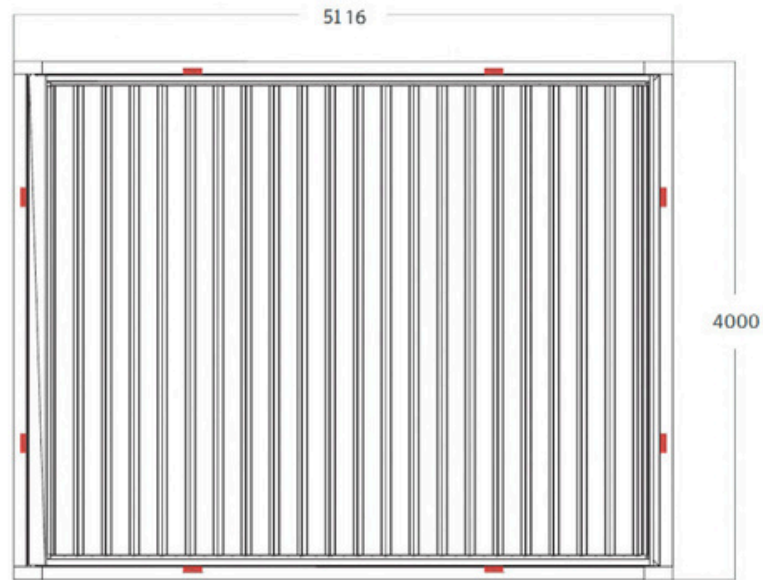
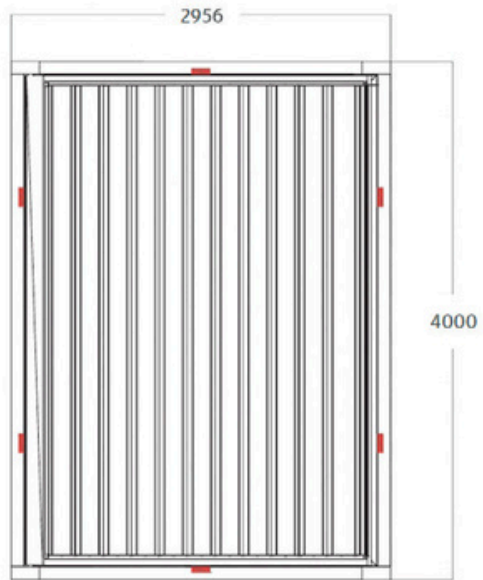


6 Motor Box Profile



7 Aerofoil Louvre Profile





- A:** Standart Carrier Post and Side Beam Profile
- B:** Carrier Post and Side Beam Profile for Audio System
- C:** Audio Systems are assembled into the Additional Beams and have maximum of 2 meters gap in between them.

Note: The Audio System modules can be more than 2 upon requirements. The drawings show 2 of them on each side for demonstration purposes.