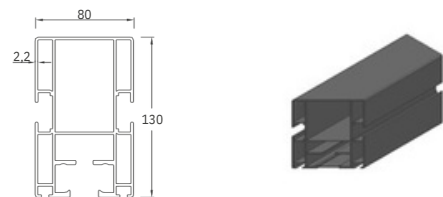


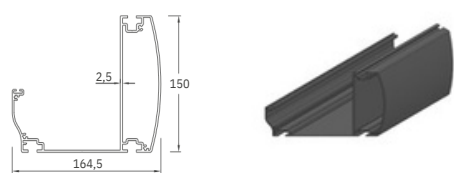
SUBULATE MINIMA



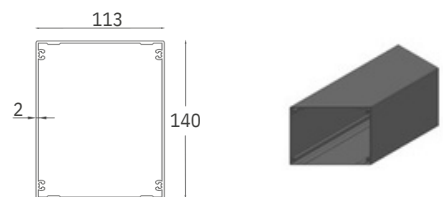
① Rafter Profile



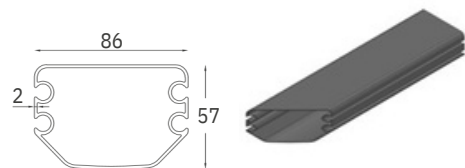
② Gutter Profile



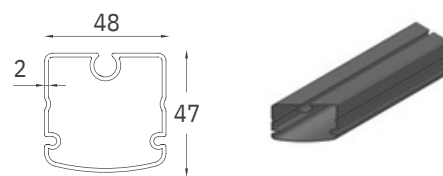
③ Carrier Post Profile



④ Fabric Profile | Master



⑤ Fabric Profile | Carrier



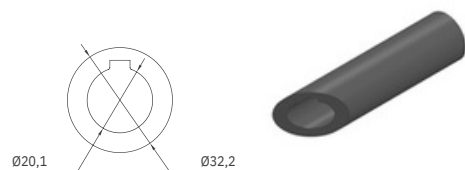
⑥ Motor Box Profile



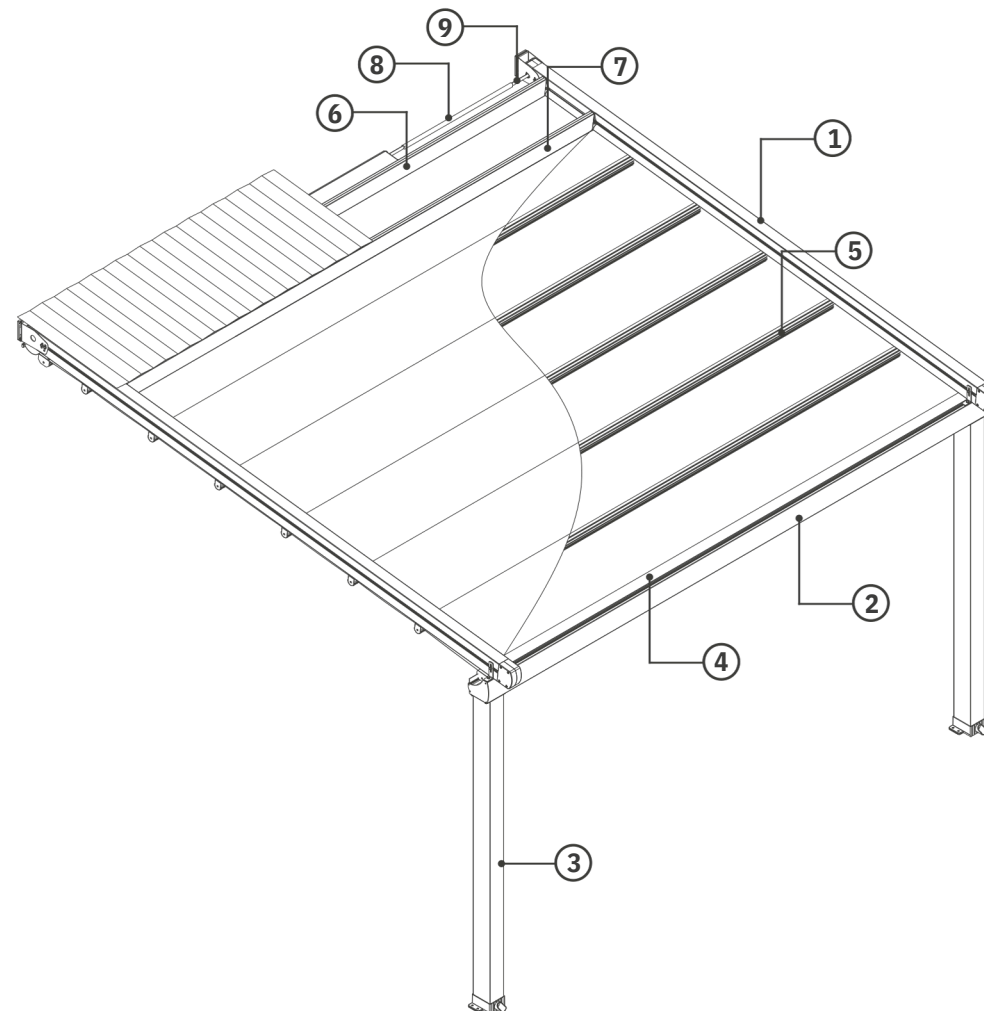
⑦ Roof Sash Profile



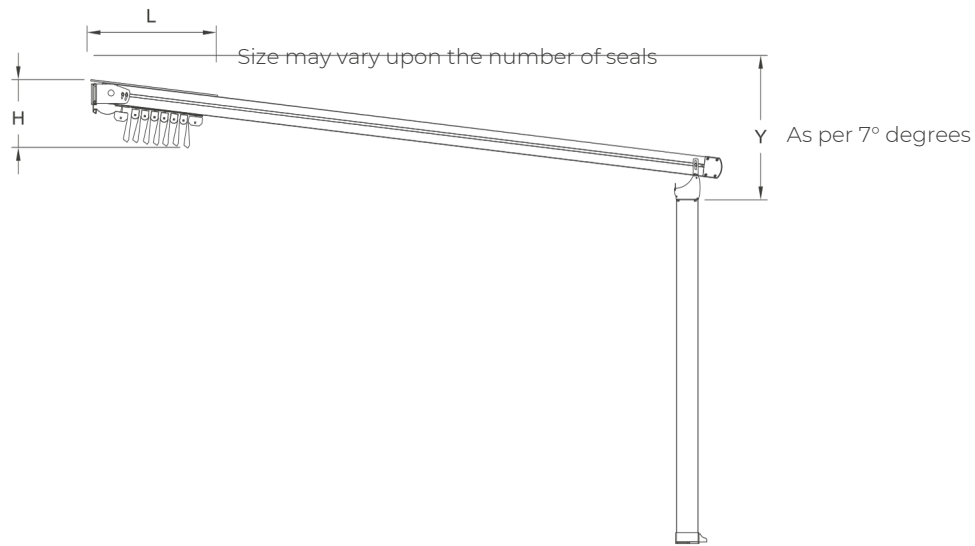
⑧ Motor Shaft Pipe Profile | Thick



⑨ Motor Shaft Pipe Profile | Thin



Technical Side View

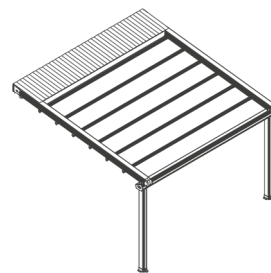


Projection	Fabric Fall Height (H)	Hood Cover (L)	8° Degree Rule Fall Height (Y)	Fabric Profile Carrier
3000	508	710	856	7 pcs
3500	512	780	921	8 pcs
4000	516	850	978	9 pcs
4500	520	920	1026	10 pcs
5000	524	990	1060	11 pcs
5500	528	1130	1091	12 pcs
6000	532	1200	1119	13 pcs
6500	536	1270	1127	14 pcs
7000	540	1340	1130	15 pcs

* Distances between fabric profiles had been calculated and measured as 50 cm and it may vary upon the measurement of each project therefore you are kindly requested to Contact your key account manager in order to avoid any misunderstanding other wise Rising shading systems will not be responsible for any mistakes that may occur.

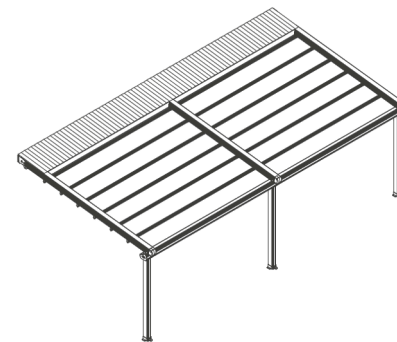
Single Module

Max. Width as 4500
Standard Carrier Post Profile height as 2500



Double Module

Max. Width as 9000
Standard Carrier Post Profile height as 2500



Triple Module

Max. Width as 13500
Standard Carrier Post Profile height as 2500

